

USB Sound Card Digital Interface with Software TNC (Kiss Mode)

AF7QO

This is my experience!

Your mileage will vary!

Why DIY?

Because it's Fun!

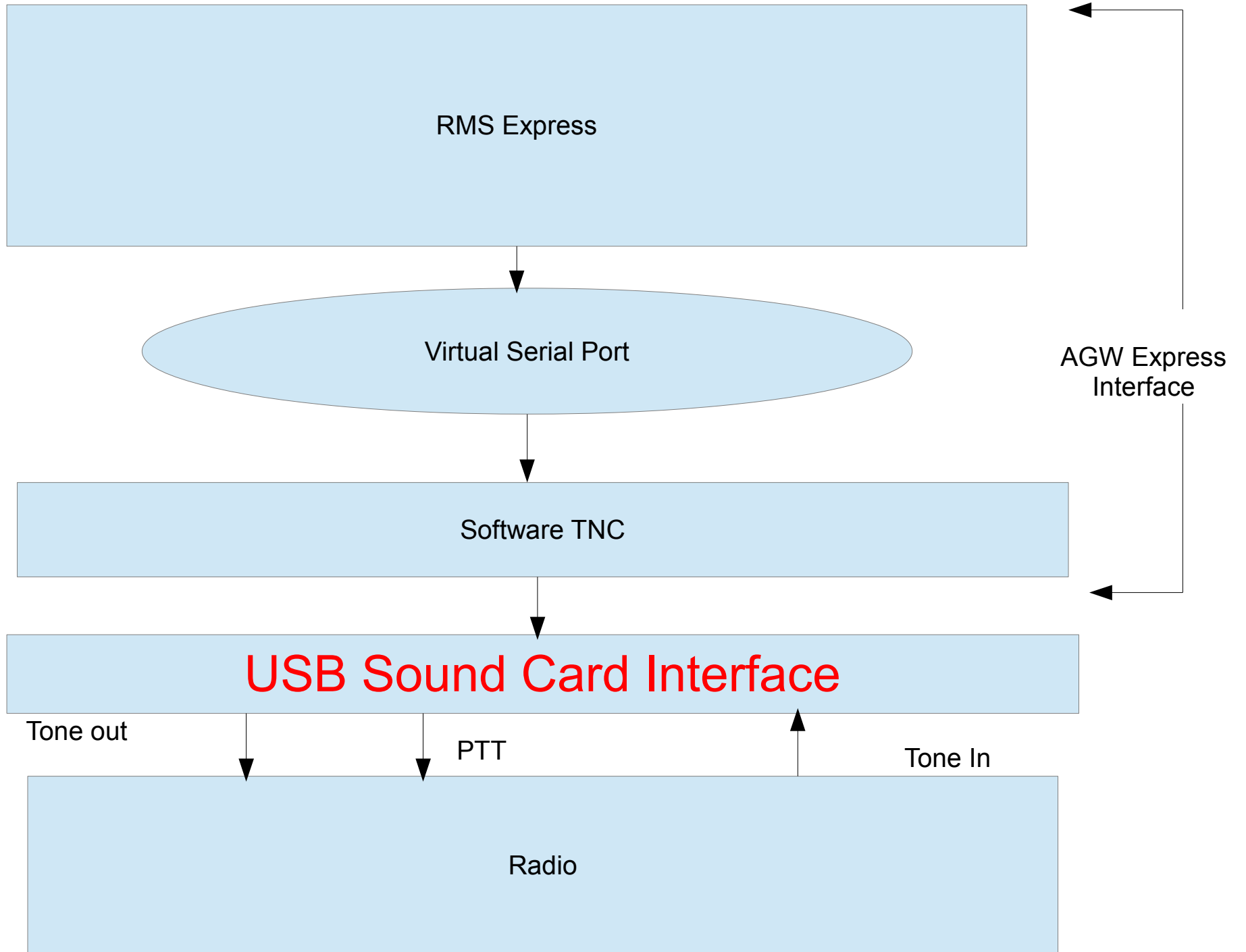
**Because It Increases
Knowledge and Skills!**

What are we talking about?

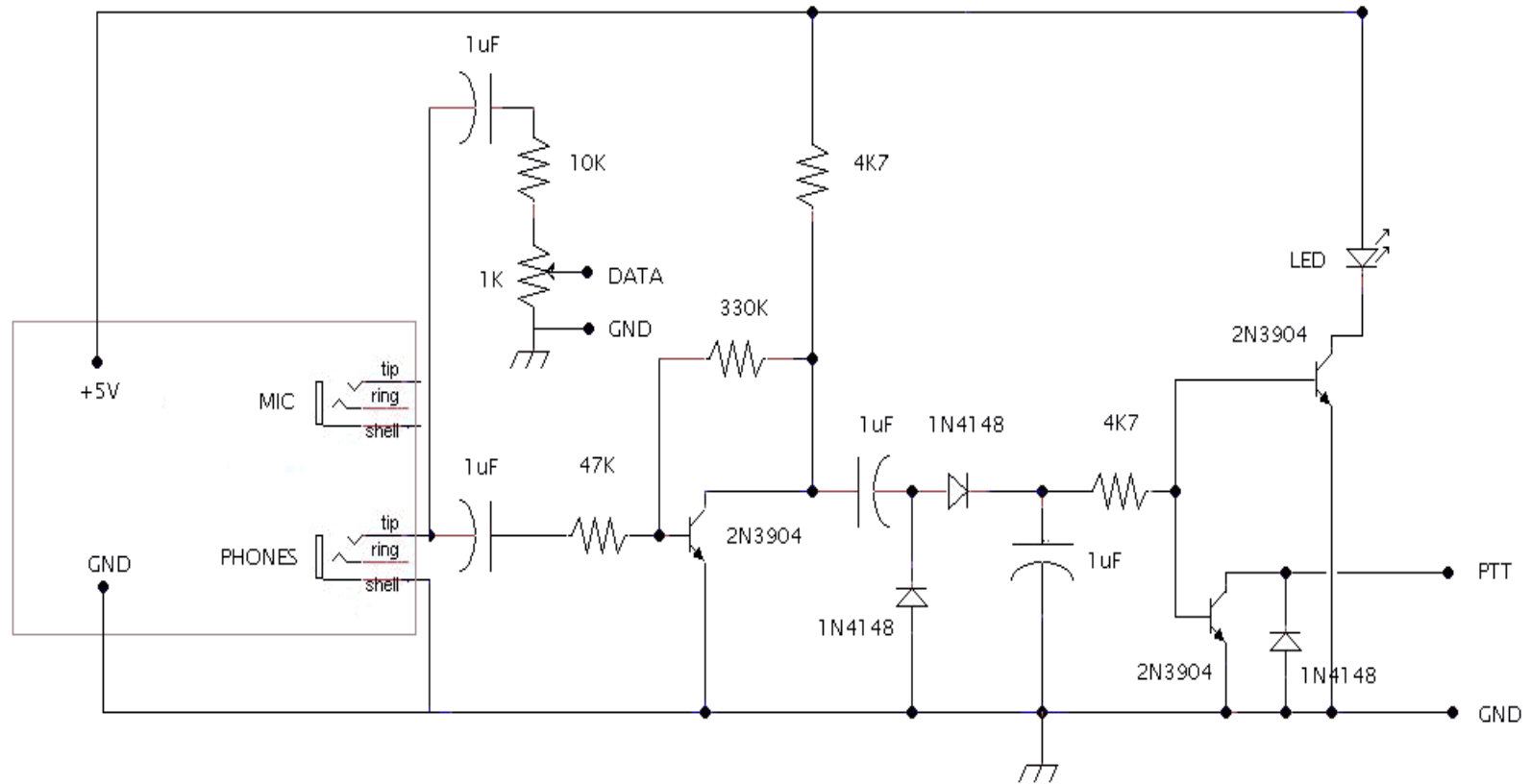
Quick Overview

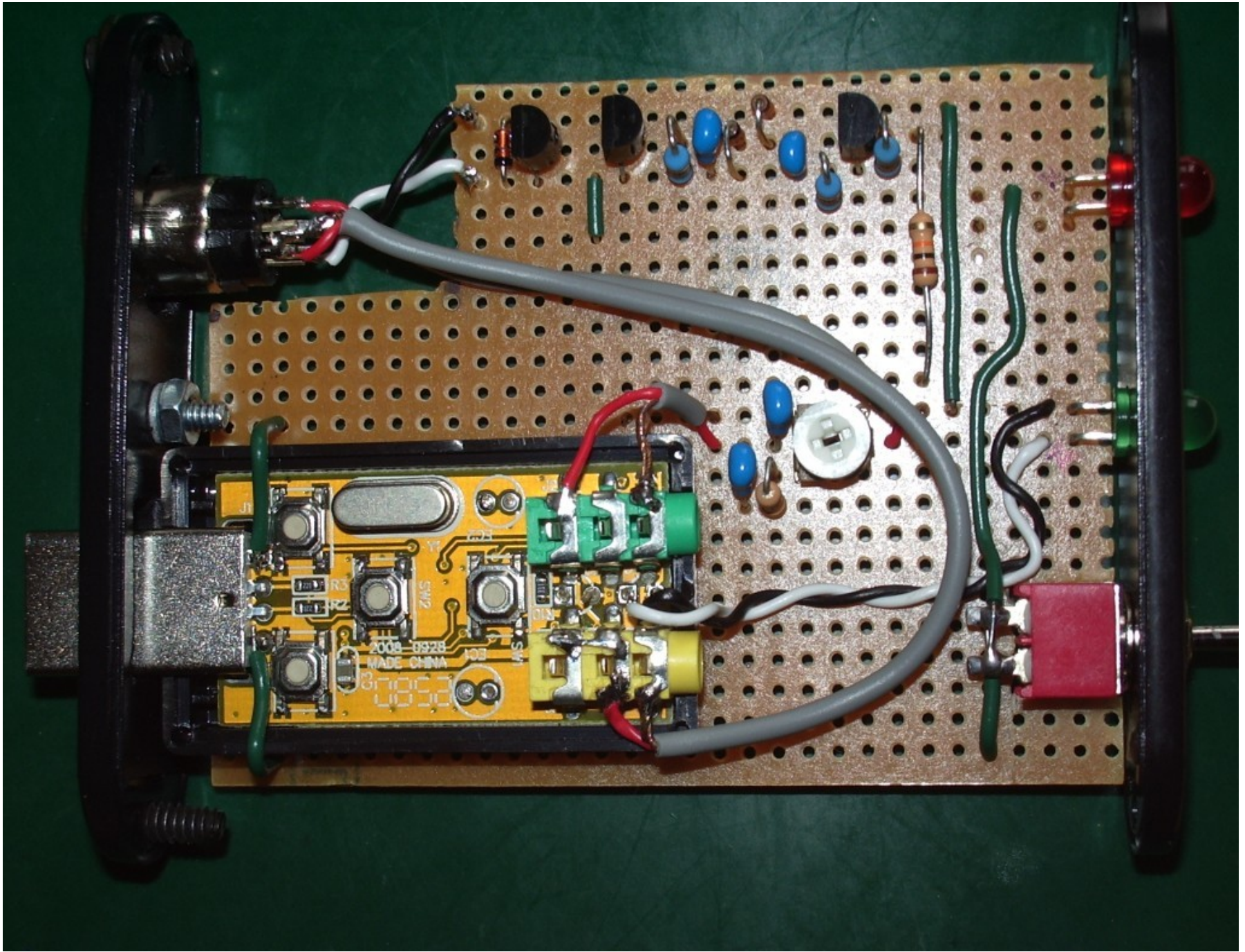
- RMS Express
 - Virtual Serial Ports
- Software TNC
- **Sound Card Interface (G4ILO)**
- Radio

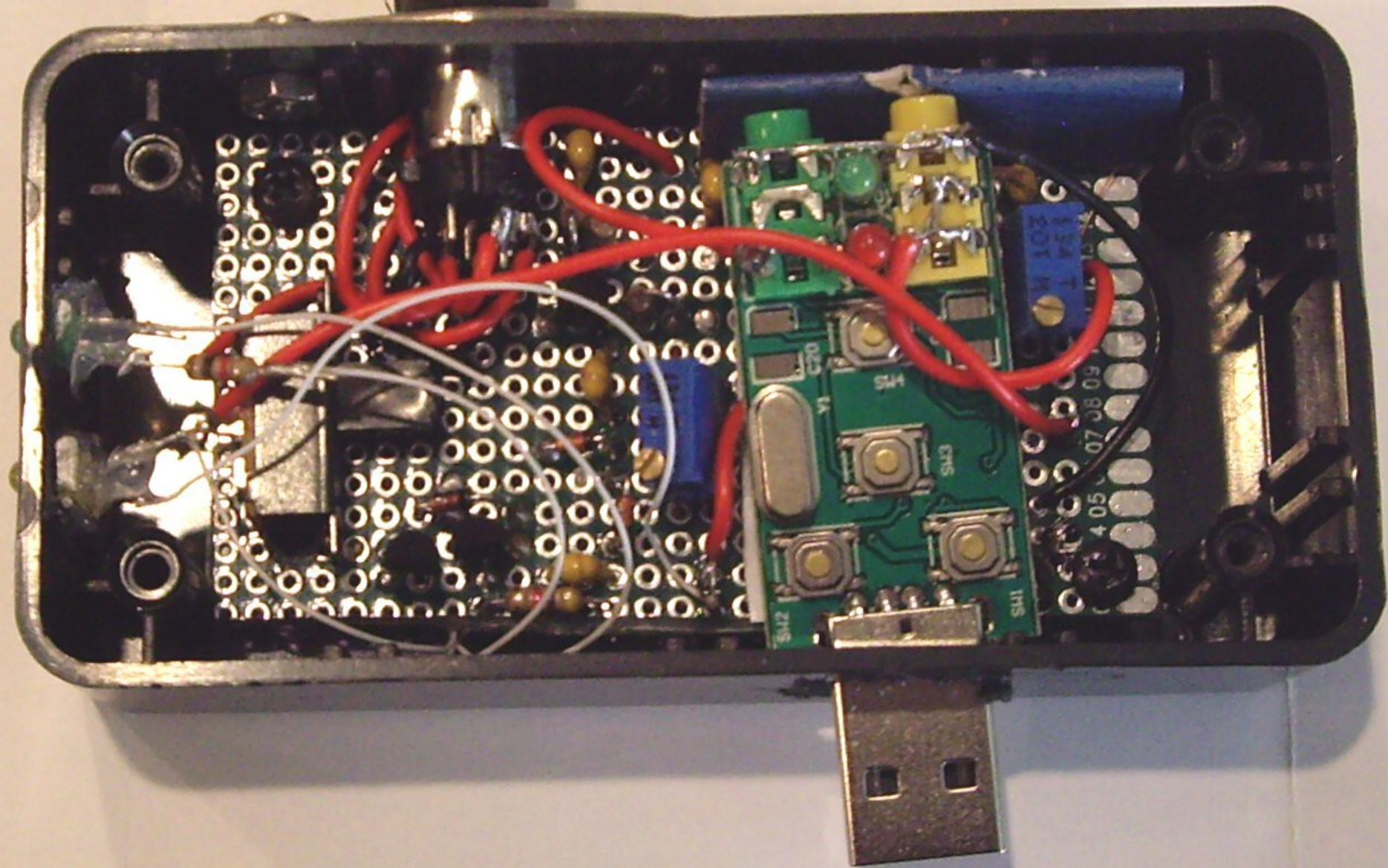
Block Diagram



USB Sound Card Interface







Things to Think About

- Adding 600 ohm 1-1 audio transformers
 - Interface cables
 - Fastening USB dongle to board
 - Setting levels
 - Follow instructions for installing software
 - Sound card settings
-
- **DO NOT FORGET TO SET RADIO FREQ.**

Links

-
- <http://w2ygsoftware.com/Home/AGWE>
- <https://www.winlink.org/RMSExpress>
- <http://www.ebay.com/itm/EASY-DIGI-Sound-Card-Int>
- <http://www.mfjenterprises.com/Product.php?producti>
- <http://www.mfjenterprises.com/Product.php?producti>
-
- <http://www.g4ilo.com/usblink.html>